

**WR-62 Standard Gain Horn With N Female Input and 20 dB Typical Gain Operating Within 12.4 GHz to 18 GHz Frequency Range**

**Configuration**

Design	WR-62 Standard Gain Horn
Pattern	Directional
Polarization	Linear
Coaxial Interface	N Female

**Electrical Specifications**

Description	Min	Typ	Max	Units
Frequency Range	12.4		18	GHz
Impedance		50		Ohms
<b>Waveguide Standard Gain Horn</b>				
Gain		20		dB
Horizontal 3dB Beam Width		18.9		Degrees
Vertical 3dB Beam Width		18.8		Degrees
<b>Waveguide to Coaxial Adapter</b>				
Input VSWR			1.25:1	

**Mechanical Specifications**

**Size**

Length	6.83 in 173.48 mm
Width/Diameter	2.88 in 73.15 mm
Height	2.11 in 53.59 mm

**RF Connector**

Type	N Female
Body Material and Plating	Passivated Stainless Steel

**Waveguide Interface**

Waveguide Size	WR-62
Body Material and Plating	Aluminum

**Environmental Specifications**

**Compliance Certifications** (see [product page](#) for current document)

**Plotted and Other Data**

Notes:



Fairview Microwave  
 1130 Junction Dr. #100  
 Allen, TX 75013  
 Tel: 1-800-715-4396 / (972) 649-6678  
 Fax: (972) 649-6689  
[www.fairviewmicrowave.com](http://www.fairviewmicrowave.com)  
[sales@fairviewmicrowave.com](mailto:sales@fairviewmicrowave.com)

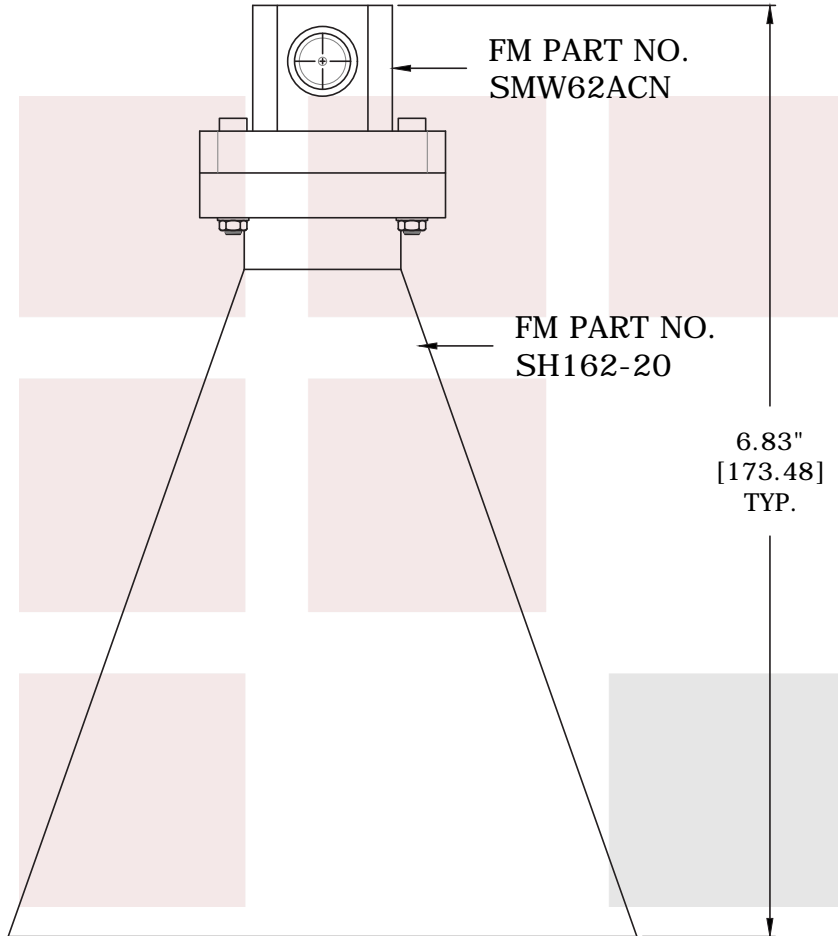
WR-62 Standard Gain Horn With N Female Input and 20 dB Typical Gain Operating Within 12.4 GHz to 18 GHz Frequency Range from Fairview Microwave is in-stock and available to ship same-day. All of our RF/microwave products are available off-the-shelf from our ISO 9001:2008 certified facilities in Allen, Texas. Fairview Microwave is RF on-demand.

For additional information on this product, please click the following link: [WR-62 Standard Gain Horn With N Female Input and 20 dB Typical Gain Operating Within 12.4 GHz to 18 GHz Frequency Range SMH162NR-20](#)

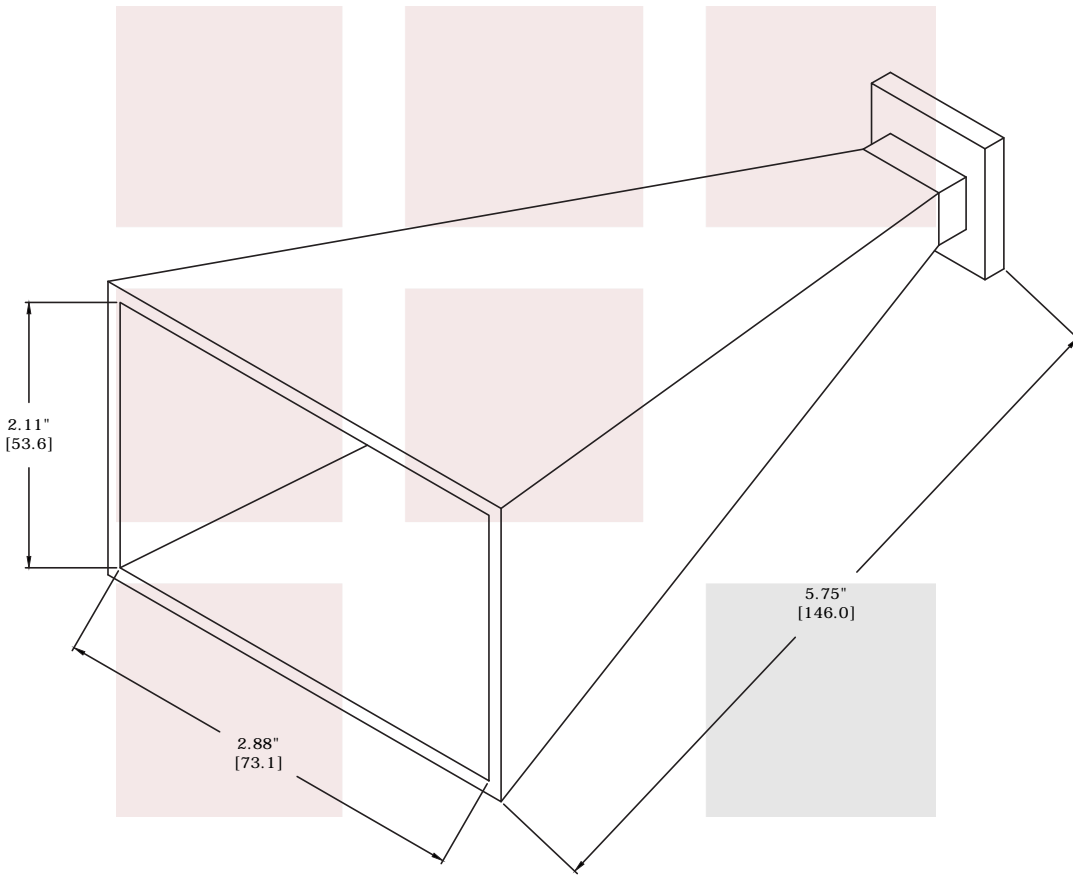
URL: <https://www.fairviewmicrowave.com/wr-62-standard-gain-horn-20-db-n-smh162nr-20-p.aspx>

The information contained in this document is accurate to the best of our knowledge and representative of the part described herein. It may be necessary to make modifications to the part and/or the documentation of the part, in order to implement improvements. Fairview Microwave reserves the right to make such changes as required. Unless otherwise stated, all specifications are nominal. Fairview Microwave does not make any representation or warranty regarding the suitability of the part described herein for any particular purpose, and Fairview Microwave does not assume any liability arising out of the use of any part or documentation.





<b>FAIRVIEW MICROWAVE INC.</b> ALLEN, TX 75013 WWW.FAIRVIEWMICROWAVE.COM		NOTES: 1. UNLESS OTHERWISE SPECIFIED ALL DIMENSIONS ARE NOMINAL. 2. ALL SPECIFICATIONS ARE SUBJECT TO CHANGE WITHOUT NOTICE AT ANY TIME. 3. DIMENSIONS ARE IN INCHES [mm].			
TITLE WR-62 Standard Gain Horn With N Female Input and 20 dB Typical Gain Operating Within 12.4 GHz to 18 GHz Frequency Range		DWG NO <b>SMH162NR-20</b>		CAGE CODE <b>3FKR5</b>	
		CAD FILE 040416 SHEET	SCALE N/A	SIZE A	5568



<b>FAIRVIEW MICROWAVE INC.</b> ALLEN, TX 75013 WWW.FAIRVIEWMICROWAVE.COM		NOTES: 1. UNLESS OTHERWISE SPECIFIED ALL DIMENSIONS ARE NOMINAL. 2. ALL SPECIFICATIONS ARE SUBJECT TO CHANGE WITHOUT NOTICE AT ANY TIME. 3. DIMENSIONS ARE IN INCHES [mm].			
TITLE WR-62 Standard Gain Horn With N Female Input and 20 dB Typical Gain Operating Within 12.4 GHz to 18 GHz Frequency Range		DWG NO <b>SMH162NR-20</b>		CAGE CODE <b>3FKR5</b>	
CAD FILE	040416	SHEET	SCALE	N/A	SIZE A 5568