

**WR-51 to SMA Female Waveguide to Coax Adapter
 Square Cover Flange With 15 GHz to 22 GHz Fre-
 quency Range For Ku-K Band**

The SMW51ACB is a waveguide to coaxial adapter with a frequency range of 15 to 22 GHz, operating in the Ku-K band. This adapter offers a precision tolerance square cover flange and a WR-51 waveguide interface size. SMW51ACB is constructed of aluminum to ensure durability and repeatable RF performance. The SMA female connector mates with commercially available 2.92mm and 3.5mm connectors. The package is REACH and RoHS compliant.

Configuration

Waveguide Size	WR-51
Flange	Square Cover
RF Connector	SMA Female
Body Geometry	Right Angle

Electrical Specifications

Description	Min	Typ	Max	Units
Frequency Range	15		22	GHz
VSWR			1.25:1	
Insertion Loss		0.25		dB

Mechanical Specifications

Size

Length	1.06 in [26.92 mm]
Width	1.31 in [33.27 mm]
Height	1.31 in [33.27 mm]
Weight	0.16226 lbs [73.6 g]

RF Connector

Connector Type	SMA Female
Specification	30μ in. min.
Contact Material and Plating	Beryllium Copper, Gold
Body Material and Plating	Passivated Stainless Steel
Torque	8 in-lbs [0.9 Nm]

Waveguide Interface

Waveguide Type	WR-51
Flange Type	Square Cover
Body Material and Plating	Aluminum

Environmental Specifications

Temperature

Operating Range	-55 to +120 deg C
-----------------	-------------------

Compliance Certifications (see [product page](#) for current document)

Plotted and Other Data

Notes:

- Values at +25 °C, sea level unless stated otherwise

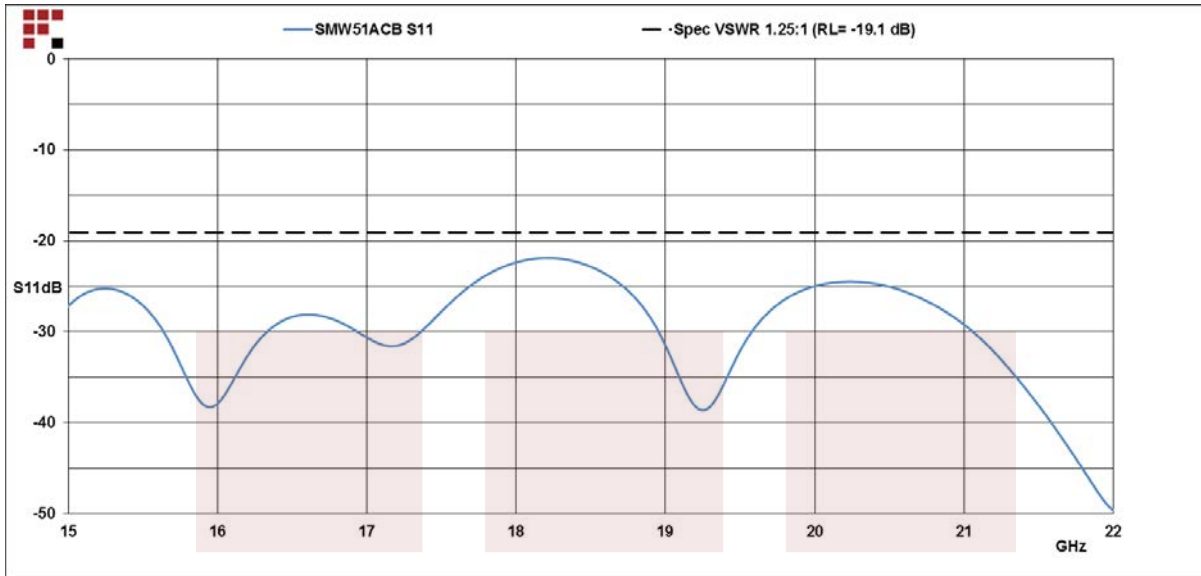


Features:

- Ku-K Band, 15 to 22 GHz Frequency Range
- WR-51 Waveguide Interface with Square Cover Flange
- SMA Female Coaxial Interface
- Comprehensive waveguide offerings also include E-Bends, H-Bends, Sections, Filters, Terminations, Couplers, and more.

Fairview Microwave
 1130 Junction Dr. #100
 Allen, TX 75013
 Tel: 1-800-715-4396 / (972) 649-6678
 Fax: (972) 649-6689
www.fairviewmicrowave.com
sales@fairviewmicrowave.com

Typical Performance Data

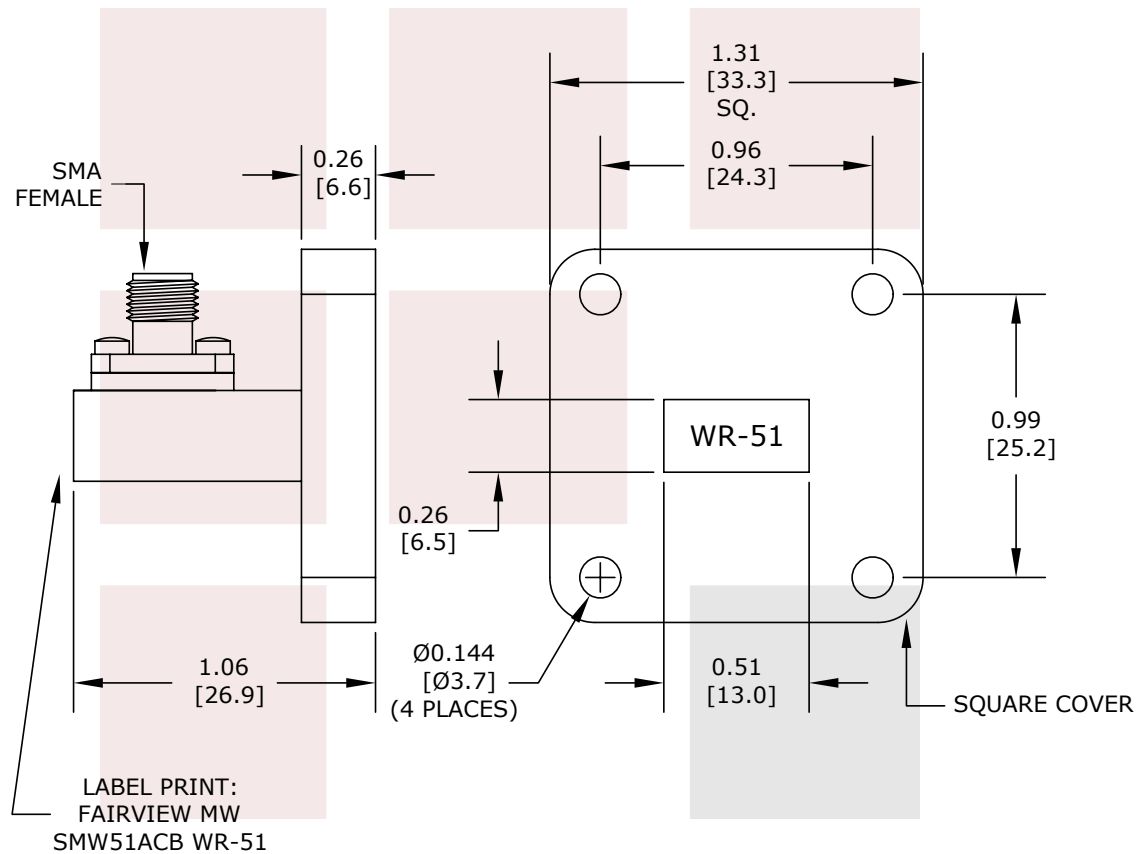


WR-51 to SMA Female Waveguide to Coax Adapter Square Cover Flange With 15 GHz to 22 GHz Frequency Range For Ku-K Band from Fairview Microwave is in-stock and available to ship same-day. All of our RF/microwave products are available off-the-shelf from our ISO 9001:2008 certified facilities in Allen, Texas. Fairview Microwave is RF on-demand.

For additional information on this product, please click the following link: [WR-51 to SMA Female Waveguide to Coax Adapter Square Cover Flange With 15 GHz to 22 GHz Frequency Range For Ku-K Band SMW51ACB](#)

URL: <https://www.fairviewmicrowave.com/wr-51-sma-female-connector-waveguide-coax-adapter-15-22-ghz-smw51acb-p.aspx>

The information contained in this document is accurate to the best of our knowledge and representative of the part described herein. It may be necessary to make modifications to the part and/or the documentation of the part, in order to implement improvements. Fairview Microwave reserves the right to make such changes as required. Unless otherwise stated, all specifications are nominal. Fairview Microwave does not make any representation or warranty regarding the suitability of the part described herein for any particular purpose, and Fairview Microwave does not assume any liability arising out of the use of any part or documentation.



FAIRVIEW MICROWAVE INC.
 ALLEN, TX 75013 WWW.FAIRVIEWMICROWAVE.COM

NOTES:
 1. UNLESS OTHERWISE SPECIFIED ALL DIMENSIONS ARE NOMINAL.
 2. ALL SPECIFICATIONS ARE SUBJECT TO CHANGE WITHOUT NOTICE AT ANY TIME.
 3. DIMENSIONS ARE IN INCHES [mm].

TITLE
 WR-51 to SMA Female Waveguide to Coax Adapter
 Square Cover Flange With 15 GHz to 22 GHz
 Frequency Range For Ku-K Band

DWG NO		SMW51ACB		CAGE CODE		3FKR5	
CAD FILE	071916	SHEET		SCALE	N/A	SIZE	A 3045