

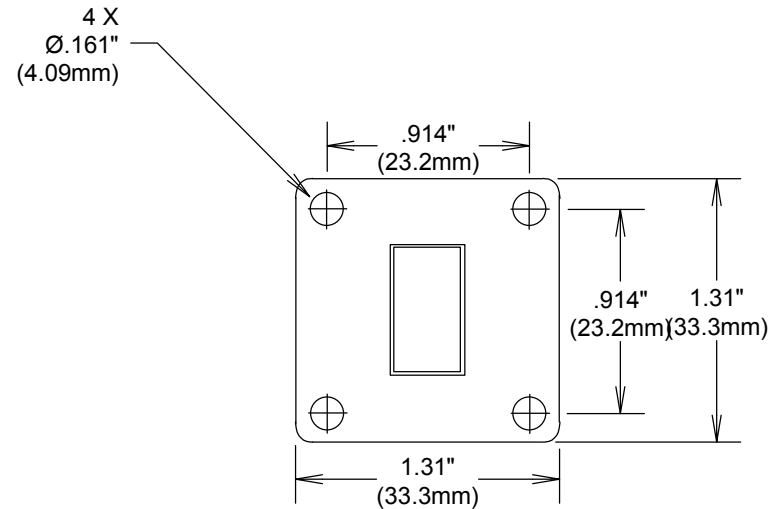
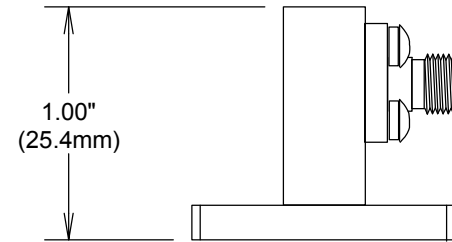
WR51 to SMA-F 1.3in FLANGE TO COAXIAL ADAPTER

SMW51ACS

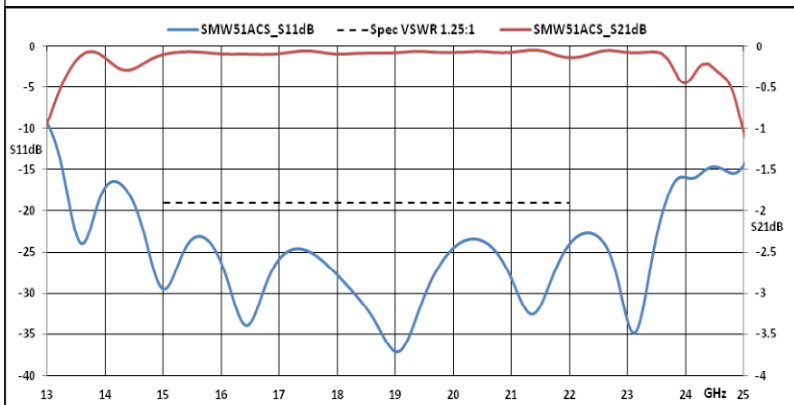
SPECIFICATIONS

FREQUENCY: 15-22 GHz
 VSWR: 1.25:1 MAX
 MATERIAL BODY: Al/Cu
 MATERIAL CONNECTOR:
 BODY PASSIVATED STEEL
 CONTACTS: BeCu Au PLATED 30μ-in

ROHS COMPLIANT



MEASUREMENTS BELOW ARE TYPICAL



ALL DIMENSIONS IN inches(MM) Typical

FAIRVIEW MICROWAVE INC.

ALLEN, TX 75013 WWW.FAIRVIEWMICROWAVE.COM

TITLE

**WR51 to SMA-F 1.3in FLANGE
TO COAXIAL ADAPTER**

SIZE

A

CAGE CODE

3FKR5

DWG NO

SMW51ACS

REV

A

SCALE

SHEET