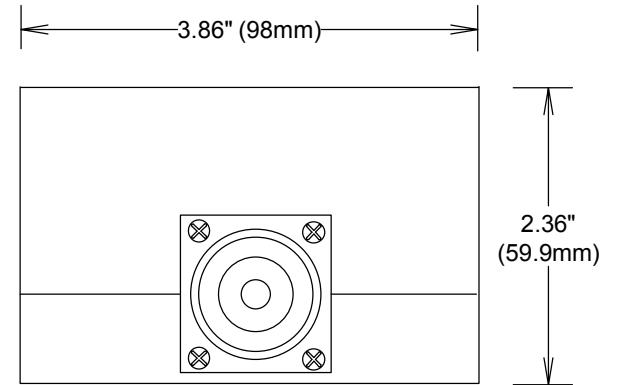
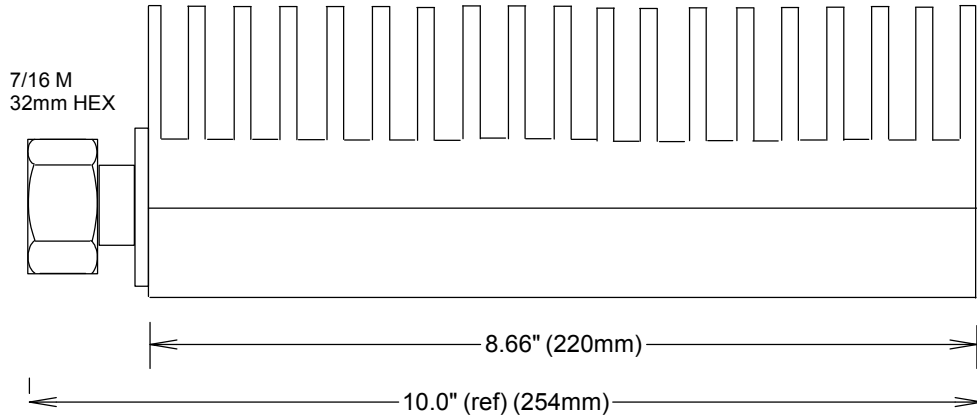


TERMINATION 7/16 200 WATTS 3 GHZ

ST3D-200



SPECIFICATIONS

ELECTRICAL:

FREQUENCY: 0-3 GHZ
 IMPEDANCE: 50 OHMS
 VSWR @ 3 GHZ: 1.25 MAX
 POWER (AVG) 200 WATTS @ 25° C
 DERATED LINEARLY TO 20W @ 125° C
 POWER (PEAK) 10 KW
 5 μs PULSE WIDTH WITH 2% DUTY CYCLE

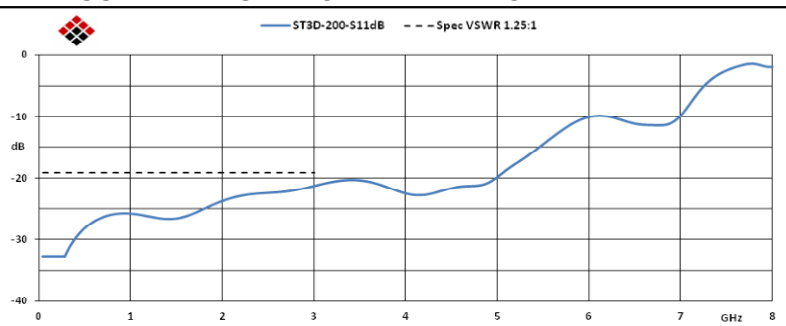
MATERIALS:

CONNECTORS: NICKEL PLATED BRASS
 CONTACTS: Au PLATED Brass 30 μ-in
 INTERFACE: PER DIN 47223

ENVIRONMENTAL:

TEMP: -55°C TO +125°C
 ROHS COMPLIANT

MEASUREMENTS BELOW ARE TYPICAL



ALL DIMENSIONS IN inches(MM) Typical

FAIRVIEW MICROWAVE INC.

ALLEN, TX 75013 WWW.FAIRVIEWMICROWAVE.COM

TITLE

TERMINATION 7/16-MALE 200WATTS 3GHZ

SIZE	CAGE CODE	DWG NO	REV
A	3FKR5	ST3D-200	A
SCALE		SHEET	