

## N Female (Jack) Connector for LMR-400 Cable, Crimp/Solder

### Times Microwave Systems Connector Specification

Type N female connector with crimp/solder attachment for LMR-400, LMR-400-DB and LMR-400-UF, part number TC-400-NF-X, from Fairview Microwave is in-stock and ships same day. This type N female connector operates up to a maximum frequency of 6 GHz and offers good VSWR of 1.3:1.

Fairview's type N female connector TC-400-NF-X datasheet specifications and outline drawing are shown in this PDF below. Our extensive offering of RF, microwave and millimeter wave connectors allows designers to configure and customize their signal connections however they like. From providing an I/O for a board design to creating a custom cable assembly configuration, Fairview Microwave has a connector solution to meet your needs. Fairview Microwave also has the expertise to build your custom cable assemblies for you and ship them same-day.

### Electrical Specifications

| Description               | Min   | Typ | Max   | Units |
|---------------------------|-------|-----|-------|-------|
| Frequency Range           | DC    |     | 6     | GHz   |
| VSWR                      |       |     | 1.3:1 |       |
| Insertion Loss            |       |     | 0.1   | dB    |
| Operating Voltage (AC)    |       |     | 1,500 | Vrms  |
| Inner Cond. DC Resistance |       |     | 0.8   | mOhms |
| Outer Cond. DC Resistance |       |     | 0.4   | mOhms |
| Insulation Resistance     | 5,000 |     |       | MOhms |

### Mechanical Specifications

|             |                     |
|-------------|---------------------|
| <b>Size</b> |                     |
| Length      | 1.56 in [39.62 mm]  |
| Width/Dia.  | 0.63 in [16.00 mm]  |
| Weight      | 0.088 lbs [39.92 g] |

### Material Specifications

| Description     | Material | Plating   |
|-----------------|----------|-----------|
| Contact         | Copper   | Gold      |
| Insulation      | PTFE     |           |
| Outer Conductor | Brass    | Tri-Metal |
| Body            | Brass    | Tri-Metal |

### Environmental Specifications

|                    |                                    |
|--------------------|------------------------------------|
| <b>Temperature</b> |                                    |
| Operating Range    | -55 to +155 deg C                  |
| Shock              | US MIL-STD 202, Meth. 213, Cond. I |



### Configuration:

- N Female Connector
- MIL-STD-348
- 50 Ohms
- Straight Body Geometry
- LMR-400, LMR-400-DB, LMR-400-UF Interface Type
- Crimp/Solder Attachment

### Features:

- Operating Frequency of 6 GHz Max.
- Good VSWR of 1.3:1
- Gold Plated Copper Contact

### Applications:

- General Purpose Test
- Custom Cable Assemblies

Fairview Microwave  
301 Leora Ln., Suite 100  
Lewisville, TX 75056  
Tel: 1-800-715-4396 / (972) 649-6678  
Fax: (972) 649-6689  
[www.fairviewmicrowave.com](http://www.fairviewmicrowave.com)  
[sales@fairviewmicrowave.com](mailto:sales@fairviewmicrowave.com)

Vibration  
Thermal Shock

US MIL-STD 202, Meth. 204, Cond. B  
US MIL-STD 202, Meth. 107, Cond. B

**Compliance Certifications** (see [product page](#) for current document)

### Plotted and Other Data

Notes:

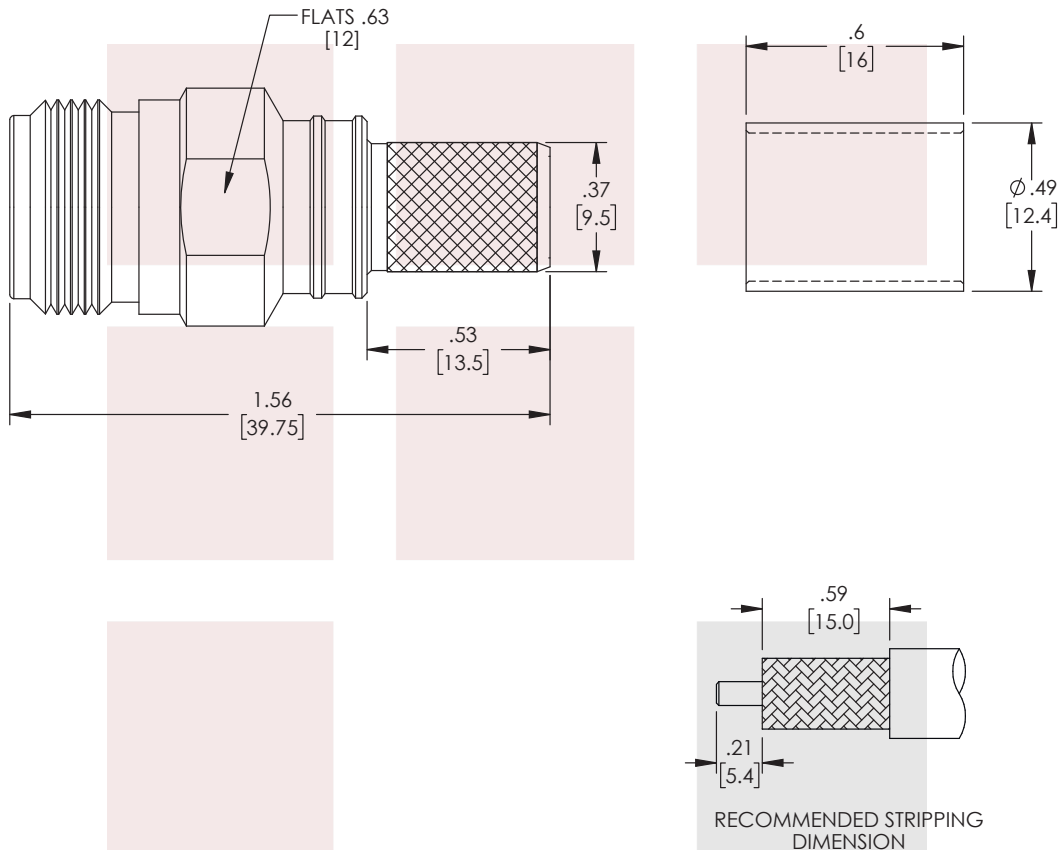
N Female (Jack) Connector for LMR-400 Cable, Crimp/Solder from Fairview Microwave is in-stock and available to ship same-day. All of our RF/microwave products are available off-the-shelf from our ISO 9001:2008 certified facilities in Lewisville, Texas. Fairview Microwave is RF on-demand.

For additional information on this product, please click the following link: [N Female \(Jack\) Connector for LMR-400 Cable, Crimp/Solder TC-400-NF-X](#)

URL: <https://www.fairviewmicrowave.com/n-female-lmr-400-connector-tc-400-nf-x-p.aspx>

The information contained in this document is accurate to the best of our knowledge and representative of the part described herein. It may be necessary to make modifications to the part and/or the documentation of the part, in order to implement improvements. Fairview Microwave reserves the right to make such changes as required. Unless otherwise stated, all specifications are nominal. Fairview Microwave does not make any representation or warranty regarding the suitability of the part described herein for any particular purpose, and Fairview Microwave does not assume any liability arising out of the use of any part or documentation.

| REVISIONS |                 |         |          |
|-----------|-----------------|---------|----------|
| REV.      | DESCRIPTION     | DATE    | APPROVED |
| A         | INITIAL RELEASE | 7/19/21 | SRAUTUS  |



THESE COMMODITIES, TECHNOLOGY OR SOFTWARE WERE EXPORTED FROM THE UNITED STATES IN ACCORDANCE WITH THE EXPORT ADMINISTRATION REGULATIONS. DIVERSION CONTRARY TO U.S. LAW PROHIBITED.

TITLE

N Female (Jack) Connector for LMR-400 Cable, Crimp/  
Solder

UNLESS OTHERWISE SPECIFIED LEADING DIMENSIONS ARE INCHES  
DIMENSIONS IN [ ] ARE MILLIMETERS

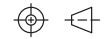
TOLERANCES:

.X = ±.2 [5.08] FRACTIONS ± 1/32  
.XX = ±.02 [.51] ANGLES ± 1°  
.XXX = ±.005 [.13]

CABLE LENGTH (L) TOLERANCES:

L ≤ 12 [305] = +1 [25] / -0  
12 [305] < L ≤ 60 [1524] = +2 [51] / -0  
60 [1524] < L ≤ 120 [3048] = +4 [102] / -0  
120 [3048] < L ≤ 300 [7620] = +6 [152] / -0  
300 [7620] < L = +5%L / -0

THIRD-ANGLE PROJECTION



THE INFORMATION AND DESIGN IN THIS DOCUMENT IS THE PROPERTY OF FAIRVIEW MICROWAVE CORPORATION. ALL RIGHTS RESERVED.

SHEET 1 OF 1

ALL DIMENSIONS SHOWN ARE FOR REFERENCE ONLY.

SCALE

N/A

|                  |                           |                         |                                |                 |
|------------------|---------------------------|-------------------------|--------------------------------|-----------------|
| SIZE<br><b>A</b> | CAGE CODE<br><b>3FKR5</b> | DRAWN BY<br><b>DMAY</b> | ITEM NO.<br><b>TC-400-NF-X</b> | REV<br><b>A</b> |
|------------------|---------------------------|-------------------------|--------------------------------|-----------------|

T-Rev.D